

Direct Digitizer REGIUS MODEL 110 S

■ Exposure Size

14"×17" / 14"×14" / 11"×14" / 10"×12" / 8"×10"
18×24cm / 24×30cm / 15×30cm and other sizes

■ Sampling Pitch

2 types: 87.5 μm / 175 μm

■ Maximum Resolution

4020×4892 (14"×17" / 87.5 μm)

■ Digital Gradation Level

4096 levels (12bit)

■ Processing Capacity

approx. 60 plates / hour (14" ×14" / 175 μm)

■ Outer Dimensions / Weight

W740 × D365 × H747mm / approx. 100kg

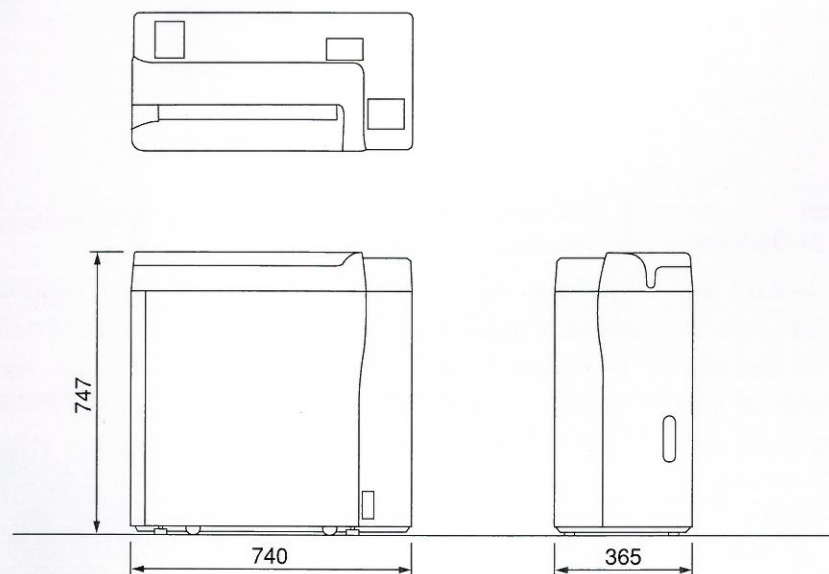
■ Power Consumption

AC100 / 110 / 115 / 120 / 200 / 220 / 230 / 240 V ±10%
50 / 60 Hz approx. 0.8kVA

■ Operating Conditions

Temperature: 15-30°C
Humidity: 35-80%RH (no condensation)

REGIUS MODEL 110 S Outer Dimensions



Unit: mm 1/20 scaled

★Specifications are subject to change without prior notice.



KONICA MINOLTA

KONICA MINOLTA MEDICAL & GRAPHIC, INC.

No.1, Sakura-machi, Hino-shi, Tokyo, 191-8511, Japan

Distributed by :



KONICA MINOLTA

DIRECT DIGITIZER REGIUS MODEL 110 S



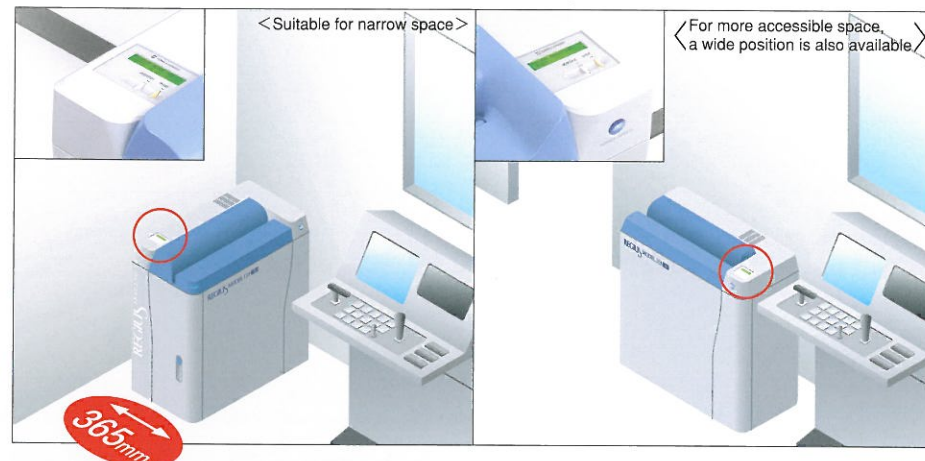
The essentials of imaging

The Slim, Compact Body Accepts a Variety of Work Styles

On the very day of introduction, new workflow starts. It's the dawn of a clean, comfortable, and human- and environment-friendly new life without having to work in a darkroom, exchange liquid waste, or clean the process tank.

Flexible Placement Options

Operation panel location is adjustable at the user facility.



Compact Design with the Smallest Depth of 365mm

The Regius Model 110 S features an astonishingly compact design with a footprint of only 0.27m². The two-way setting method allows selection of two patterns of layout depending on the use environmentally friendly. These proposals prove that we truly understand customer use environments.



Entirely Simple, Comfortable Operability

The Regius Model 110 S allows for easy operation with the simple installation of an exposed cassette. The height of the cassette slot is 710 mm. Easy cassette installation is achieved. Continue to use existing cassettes for the Regius 170/190 as exposure cassettes.

* Only cassette & plate which was produced after April, 2004 can be used.



Compact

The Regius Model 110 S delivers processing performance of 60 sheets/hour. This is the smallest, top-of-the-line Regius model with both compact design.



REGIUS CONSOLE

Our numerous console variations enable all customers to use the Regius Model 110 S as needed for complete customer satisfaction.

All in One CR Model ImagePilot with CR Console + Clinical Review + Image Storage Functions

This all-in-one CR system simplifies digital radiography by combining these functions into one consistent, user-friendly interface. With ImagePilot, image acquisition is simplified. There is no need to indicate what type of exposure is being taken. And you don't have to struggle with exposure settings. The automated image processing produces an optimized image – every time – regardless of body part or exposure technique.



Professional Model CS-3 with User Customization Function

This is a high-end model with a multi-reader connection structure and an exposure condition key edit function. With user tools, execute such editing tasks as adjusting the image processing settings and output condition settings by body part. Abundant options and functions such as long integrated processing and coordination with X-ray equipment are also available.



Simple Model CS-2 with Distinguished Operability for Medical Practitioners

This Regius console features a user-friendly screen layout with intuitive, easy operability and a body shaped icon. The image-processing functions provide optimal images by body part. In addition, the unit stores information on adjusted image density and contrast, automatically customizing the finished images to suit the customer's needs.



C O M F O R T A B L E